

GREASEGULPER

Under Sink Grease Traps

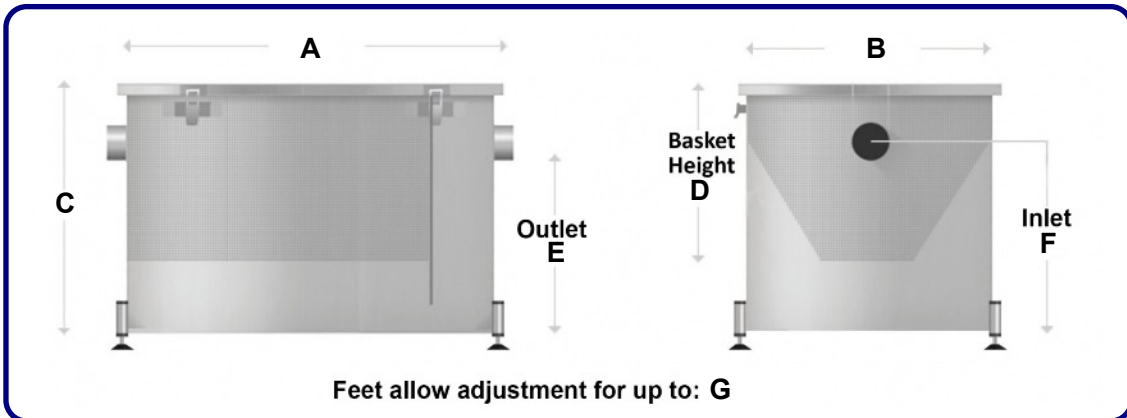
In STOCK for
NEXT DAY
DELIVERY

Remove unwanted fat, oil and grease (FoG's)
When fitting waste water pump systems such as the DrainMinior and DrainMajor in a catering environment, also fitting a grease trap can be advisable.



● GreaseGulper-
A reliable grease trap, manufactured in the UK from 304 Stainless Steel, with the popular Filtra Trap basket, which is easy to clean and maintain.

visit
web shop



Dims mm	A	B	C	D	E	F	G
Small	440	365	310	160	230	230	Up to 50
Medium	515	365	310	160	230	230	Up to 100
Large	715	365	315	160	230	230	Up to 100

GreaseGulper is available in 3 sizes to suit different applications.

Small (Part No GGS) Volume 35 Litres

Suitable for standard sink bowl. Max 70 meals per day.

Medium (Part No GGM) Volume 40 Litres

Suitable for standard sink bowl. Max 80 meals per day.

Large (Part No GGL) Volume 60 Litres

Suitable for commercial sink bowl and Dishwasher. Max 150 meals per day.



0118 9821 555 - www.pumptechnology.co.uk