

## DRAINMAJOR DUO 730 (240V) (Duty/Standby Wastewater Pumping System with Dual Alarm)



DrainMajor Duo 730 (240V) Part No.144  
(Duty/Standby Wastewater Pumping System with Dual Alarm)

### General Description:

DrainMajor Duo 730 (240V) features a heavy-duty tank and submersible pump for automatically pumping wastewater from commercial kitchens, teapoints, etc.

The DrainMajor Duo provides users with the additional security of duty/standby operation. If one pump should become blocked or fail, the wastewater would rise within the tank, activate the high-level alarm, overflow into the adjoining tank where the other pump would then act as the standby pump.



### Alarm:

The dual zone alarm has two triggered inputs. When triggered it is activated and an LED indication of which input was triggered is illuminated.

It has a built-in backup battery (72 hours) in the event of a power outage. It operates from a switched input, such as a float switch or pressure switch. The alarm can be activated either by a closed circuit switched input or an open circuit switched input. It is designed for connection to 240Vac supply voltages. Once activated, it provides a visual and audio indicator.

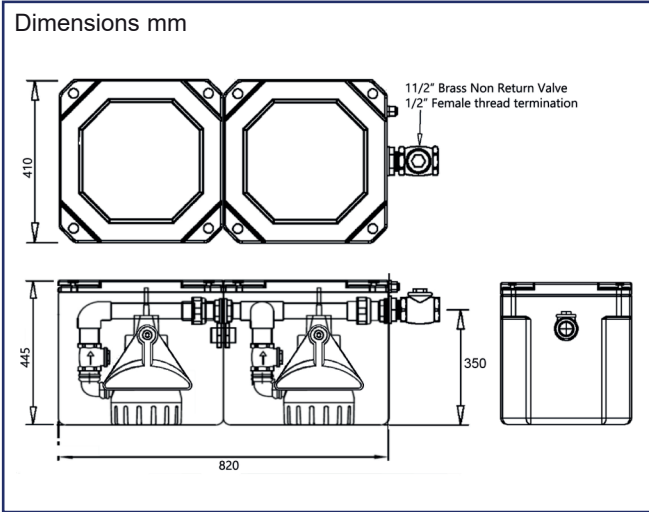
There is an option to connect an external beacon or other circuitry via the auxiliary output and/or the volt-free relay outputs. Each trigger has its own volt-free relay allowing the alarm to be connected to a Building Management System with ease.

### Key Alarm Features

- 2 Alarm inputs
- Alarm LED indicator
- Alarm audio buzzer
- Alarm audio mute button
- Alarm test button
- Power LED indicator
- IP65-rated enclosure
- Auxiliary alarm output for accessories such as a beacon or siren
- 2 independent Volt free relay contact outputs SPDT
- Easy installation no tool required WAGO wiring terminals
- Backup battery with up to 72 hours of run time

**Pump Technology Ltd. - 0118 9821 555 - [www.pumptechnology.co.uk](http://www.pumptechnology.co.uk)**

**DRAINMAJOR DUO 730 (240V)  
(Duty/Standby Wastewater Pumping  
System with Dual Alarm)**



**Tank:**

Manufactured from recyclable polyethylene and fully rigged with internal pipe work and non-return valve. The lid is held in place with easy-to-remove hand screws and sits on a custom moulded, fitted rubber seal.

**Tank Volume: 149.6 litres**

Total Approximate Usable Volume - 99.6 litres

**Tank Inlets:**

To suit site layout, all inverts should be brought into the side of the tank by drilling a hole and using an appropriate tank connector. Minimum invert height 155 mm.

**Tank Outlet:**

Fitted 1 1/2" BSP male thread discharge outlet (NRV supplied female thread)

**Tank Venting:**

To suit site layout, a vent should be taken from the side of the tank by drilling a hole and using an appropriate tank connector. Vent pipe should be 1 1/4" min. to air or via a Pump Technology MicroVent.

It is essential to have inlets into both tanks to ensure both pumps operate.

**Good for the Environment:**



**DrainMajor Duo tanks are made from Recyclable Polyethylene.**

Recycling polyethylene is highly cost effective and therefore successful. It is greener than incineration, far more eco-friendly than landfill disposal and easier to use when manufacturing products such as toys, recycling bins, envelopes and much more.

**DRAINMAJOR DUO 730 (240V)  
(Duty/Standby Wastewater Pumping  
System with Dual Alarm)**

**Pump:**

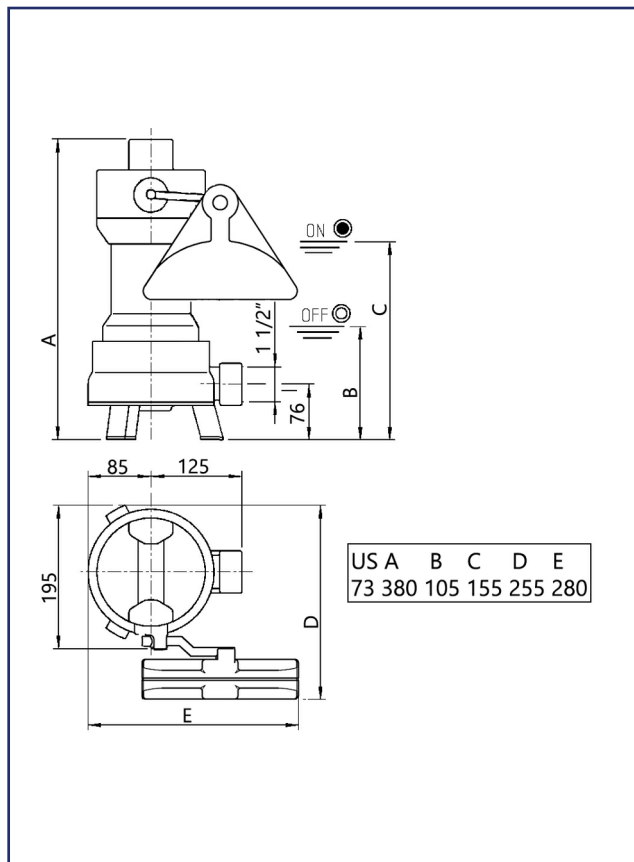
- Safe to run dry
- 30 mm free passage
- Controllable oil chamber
- SiC mechanical seal independent of sense of rotation
- Replaceable moisture sealed cable inlet
- Fluid temperature 35°C, temporarily 60°C (10 mins)

**Description:**

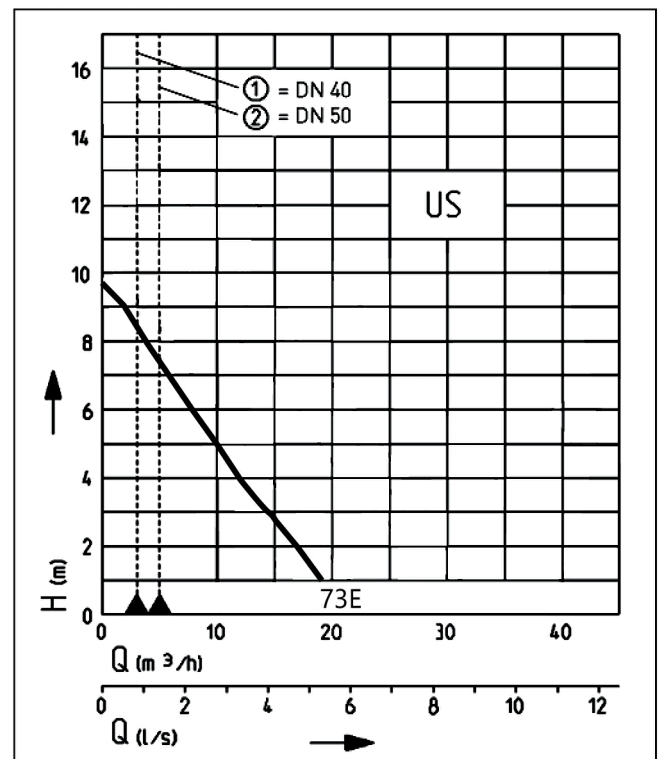
The heavy duty centrifugal submersible drainage pump US 73 ES is suitable for dealing with wastewater and capable of handling soft solids up to 30 mm particle size.



**Dimensions/switching points US 73 ES (mm)**



**PERFORMANCE**



**Scope of Supply**

Pump according to DIN EN 12050 ready for connection with 4m cable and automatic level float switch.

Mechanical Data			
Pump	Vertical single stage	Shaft	Stainless Steel
Bearing	Ball bearing, grease-lubricated	Impeller	Vortex impeller, GFK
Seal on motor side	Duplex rotary shaft seals	Motor housing	Edelstahl (253: Grauguss)
Oil chamber	Yes	Pump housing	Grey cast iron
Seal on medium side	SiC Mechanical seal	Submersible	Yes
Run dry protection	Yes	Pressure outlet	IG 1½" (US253:2")

Electrical Data			
Power line	10m H07RN-F	Insulation class	B (253:F)
Type of enclosure	IP68	Winding thermostat	Yes

**US 73 ES**

Type	Code No.	Voltage	Motor rating P1	Motor rating P2	Current	Wires	Motor protection	Plug	Free passage	Weight
<b>With built-in level control</b>										
US 73 ES	<b>JP00678</b>	1/N/PE-230V	0.83kW	0.50kW	3.9A	3G1,0	Integrated	Safety	30 mm	12.5kg

**Notes:**

- This unit is for wastewater only
- Ensure the location of the DrainMajor enables the lid to be easily removed for regular inspection and maintenance
- If the discharge pipework connection to a soil stack, manhole etc. is below the discharge outlet of the tank, an anti-syphon unit must be fitted at the highest point of the discharge pipework
- Warranty: The DrainMajor Duo 730 (240V) comes complete with a one year warranty.

**Pump Technology Ltd. - 0118 9821 555 - [www.pumptechnology.co.uk](http://www.pumptechnology.co.uk)**

Official Distributor and Stockist Authorised by Jung Pumpen GmbH



4 of 4

Pump Technology Ltd. reserves the right to change the specification without prior notice.